

FibRSol GPON ONT - 4GE+1FXS+2.4G

Model: FS-HGR4001VW-D

Highlights:

- ✓ LAN
- ✓ FTTH
- ✓ SOHO
- ✓ DHCP
- ✓ Plug and Play



Product Overview:

FibRSol The GPON ONT **FS-HGR4001VW-D** is designed for home and SOHO (Small office and home office) users. It is designed with one optical interface which is compliant with ITU-T G.984.X and ITU-T G.988 standards. The fiber access provides high-speed data channels and meets FTTH requirements. Two voice interfaces, four channel of 10/100/1000M self-adaption Ethernet interface are provided, which can be used by multiple users simultaneously.

FibRSol **FS-HGR4001VW-D** supports 802.11ac dual-frequency bands Wi-Fi (2.4 GHz and 5.8 GHz) interface. It supports flexible applications and plug and play, as well as provides high-quality voice, data and high-definition video services to users. Furthermore, it provides ideal terminal solutions and future business supports capabilities for FTTH deployment.

Features:

- ✓ Meets FTTH requirements to provide high-speed Internet access and voice service;
- ✓ Supports DBA (Dynamic Bandwidth Assignment);
- ✓ Supports powerful QoS function;
- ✓ Down-link speed up to 2.5Gbits/s and up-link speed up to 1.25Gbits/s;
- ✓ Supports IGMP Snooping and controllable multicast;
- ✓ Supports dying-gasp and data encryption;
- ✓ Supports two channels of SIP/H248-Protocol-based voice services;
- ✓ Supports Bridge or Router Mode or mixed working mode. Under Router mode, static configuration of multiple working modes such as Static ip, DHCP and PPPoE are supported;
- ✓ Supports DHCP server function;
- ✓ Supports TR069 protocol and be with comprehensive and detailed network management, as well as the web interface;
- ✓ Built-in firewall function, MAC address-based black and white list filtering, up-link and down-link based three-layer filtering rules;
- ✓ Concise and clear indicator light status;
- ✓ Supports remote firmware upgrade allows easy maintenance;

Hardware Spec

Dimension:

210*155*35mm (length*width*height)

Fiber Port:

1 GPON uplink interface, SC single-mode/single-fiber, Downstream rate 2.5Gbps, Upstream rate 1.25Gbps

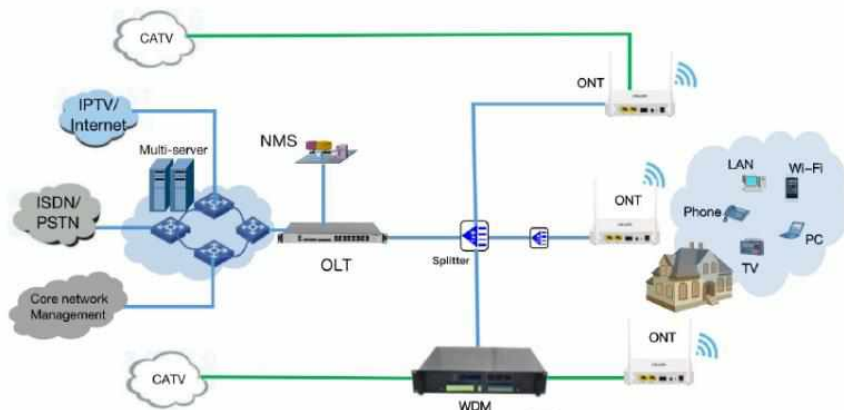
VoIP Interface: 1 FXS Ports (RJ11)

Fiber interface: SC/UPC or SC/APC (Optional)

LAN: 1*10/100/1000Mbps Base-T RJ45 Ports

Operation: Working temperature: -5~+50℃ working humidity:10~90% (non-condensation)

Application Diagram:



Software Spec

Wireless:

External antenna (5dBi),
IEEE 802.11b/g/n/ac compliant,
Frequency: 2.4 GHz(300M),
5.8 GHz(867M)
2*2 MU-MIMO

Throughput: Throughput can reach 900 Mbps or more

Power Supply: 12V 1.5A external AC-DC power adaptor

Button: On/Off (Power), RST, WiFi, WPS, Light

Power: ≤15W

Ordering Information:

Model	Description
FS-HGR4001VW-D	4GE+1FXS+2.4G&5G Dual Band Wi-Fi